



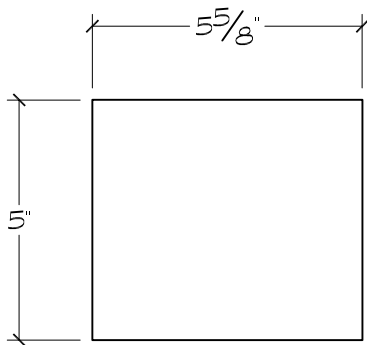
Harvey Cement Products, Inc.

Since 1947

16030 Park Avenue, Harvey, IL 60426

Ph: 708.333.1900 F: 708.333.1910

www.harveycement.com



CROSS SECTION

1 **PROFILE EP**  
 ARCH REF:  
 SCALE: 3"=1'-0"

Profile ID

EP

**SUGGESTED USE**

Sill	
Transition Band	
Coping	
Cap	
Band	X
Cornice	

**TYPE / SIZE  
 AVAILABILITY**

TYPE	LENGTH(S)
Straight	23 5/8"